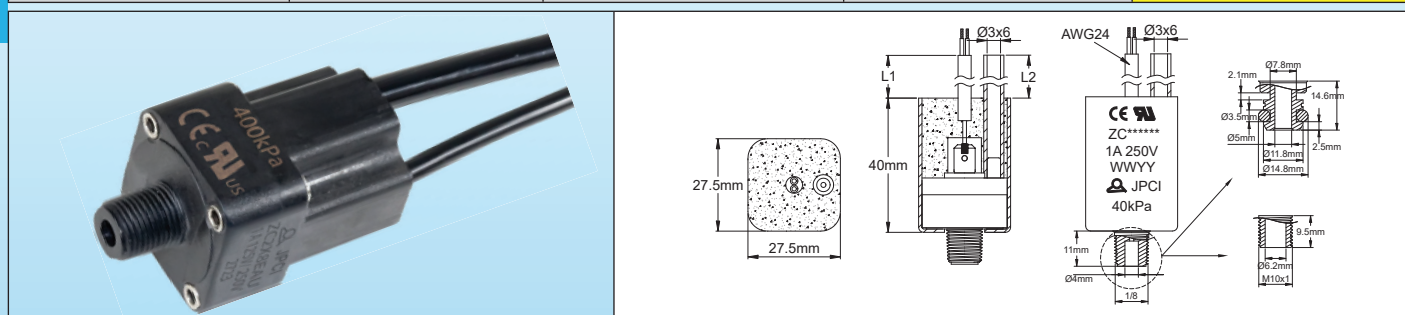




Differential pressure switches

Low voltage circuit, IP65 waterproof **differential** pressure switch, various center threads.

Fitting	Maximum Electrical rating	Minimum calibration pressure	Maximum calibration value	Type
PA66	1A 250VAC	10 kPa (100 mbar, 1.5 PSI)	4 bar (0.4 Mpa, 60 PSI)	ZC



Main applications :

Use in areas where IP65 waterproofing is required. Medium positive, negative or differential pressure detection. Water level measurement, detection of clogging of water filters. Minimum water pressure detection on water heaters and boilers. This pressure switch is much more sensitive than snap-action systems and can be calibrated at lower pressures, but its use is limited to low power applications, typically on electronic circuits. Very low differential, less than 1 kPa (10 millibars, 0.15 PSI)

Membranes: Silicone, dia. 22mm.

Fluid: Water or air. (Connection of liquid on the negative pressure port is not allowed)

Fitting:

- Negative port by flexible PVC tube 3 × 6mm length 200mm (Other length on request)
- Positive port by 1/8" BSPT or NPT or 1/4" BSPP thread in PA66.

Housing: PA66, UL94 VO, IP65 Ingress protection

Contact: Single pole normally open, slow make and break.

Electrical rating:

- Silver contact: max 1A 250VAC
- Gold plated contact: max 100mA, 24VDC

Action: Momentary, close on pressure rise on the positive port.

Set point calibration: Factory calibrated and sealed, not field adjustable

Set point calibration limits: From 10 to 400 kPa (100 to 4000 mbar, 1.5 to 60 PSI)

Electrical connection: PVC insulated cable, 2 × 0.2mm² (AWG24)

Maximum pressure: 4 bar (0.4 Mpa, 60 PSI)

Bursting pressure: > 16 bar (1.6 Mpa, 232 PSI)

Electrical connection: AWG24 cable, UL 2464 style, length 500mm (other lengths on request)

Ambient temperature limits: water: 0 to 85°C (32 to 185°F), Air: -10 ~ 85°C (14 to 185°F)

Parts number (with 500mm cable and 300mm tube) :

Positive pressure port	Contact	Calibration				
		10 kPa (100 mbar, 1.5 PSI)	20 kPa (200 mbar, 2.9 PSI)	40 kPa (400 mbar, 5.8 PSI)	60 kPa (600 mbar, 8.7 PSI)	80 kPa (800 mbar, 11.6 PSI)
1/8" NPT	Silver	ZC2X28EA01000000	ZC2X28EA02000000	ZC2X28EA04000000	ZC2X28EA06000000	ZC2X28EA08000000
	Gold plated	ZC2X28EG01000000	ZC2X28EG02000000	ZC2X28EG04000000	ZC2X28EG06000000	ZC2X28EG08000000
1/8" BSPT	Silver	ZC2X2GEA01000000	ZC2X2GEA02000000	ZC2X2GEA04000000	ZC2X2GEA06000000	ZC2X2GEA08000000
	Gold plated	ZC2X2GEG01000000	ZC2X2GEG02000000	ZC2X2GEG04000000	ZC2X2GEG06000000	ZC2X2GEG08000000
M10x1	Silver	ZC2X2MEA01000000	ZC2X2MEA02000000	ZC2X2MEA04000000	ZC2X2MEA06000000	ZC2X2MEA08000000
	Gold plated	ZC2X2MEG01000000	ZC2X2MEG02000000	ZC2X2MEG04000000	ZC2X2MEG06000000	ZC2X2MEG08000000
Snap-in	Silver	ZC2X2TEA01000000	ZC2X2TEA02000000	ZC2X2TEA04000000	ZC2X2TEA06000000	ZC2X2TEA08000000
	Gold plated	ZC2X2TEG01000000	ZC2X2TEG02000000	ZC2X2TEG04000000	ZC2X2TEG06000000	ZC2X2TEG08000000