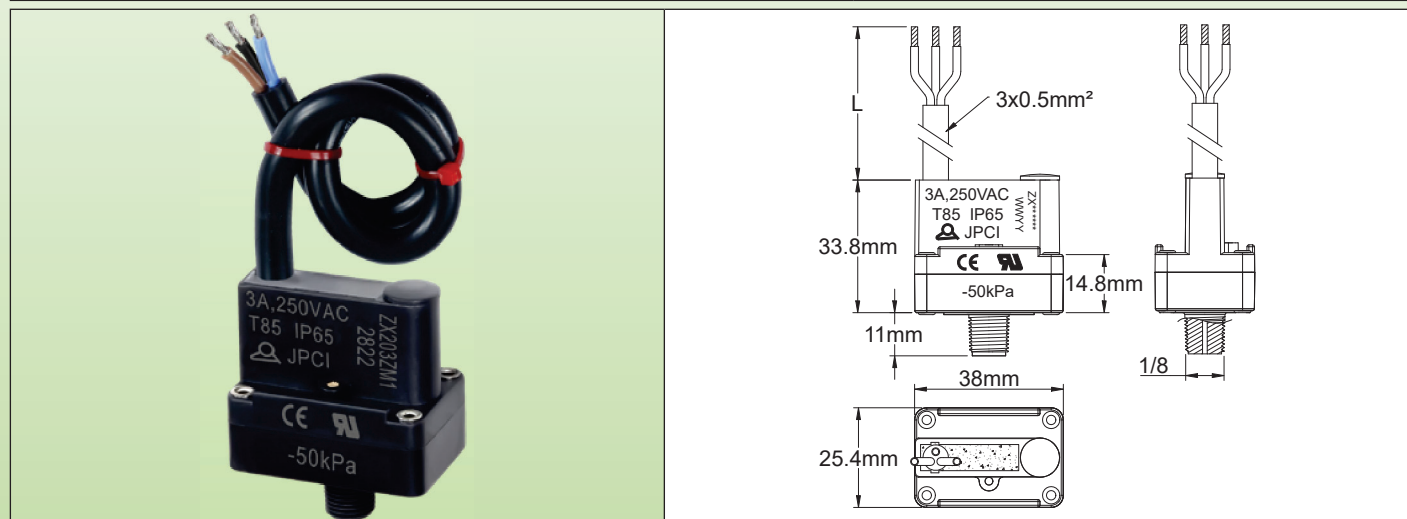




Vacuum pressure switches

Snap action contact adjustable set point **vacuum** pressure switch.
1/8" center thread, **IP65 waterproof**.

Fitting	Maximum Electrical rating	Minimum calibration pressure	Lowest negative pressure calibration	Type
PA66	3A 125/250 VAC	-5 kPa (-50 mbar, -0.7 PSI)	-90 kPa (-900 mbar, -13 PSI)	ZX



Main applications :

Its applications are in the detection of the suction of water pumps, filter clogging of vacuum cleaners, pumps for vacuum packaging devices, checking of the presence of vacuum in professional equipment.
Its high electrical rating allows it to be used without power relay in the control of motors or heating elements etc.

Technical features :

Membrane: Silicone

Fluid: Air only

Fitting: PA66, 1/8" BSPT or 1/8" NPT

Pressure: Negative

Housing: PA66, UL94 VO. IP65 Ingress protection

Contact: SPDT, snap action.

Electrical rating: 3A 125/250 VAC, resistive

Action: Momentary.

Set point adjustment: Field adjustable by screw driver, after removing the calibration screw cap.

Set point calibration values: Standard -10 kPa (-100 mbar, -1.45 PSI). Other values between -5 kPa (-50 mbar, -0.73 PSI) and -80 kPa (-800 mbar, -11.6 PSI) on request.

Electrical connection: PVC insulated cable, 3 x 0.5mm² (AWG20)

Maximum operating pressure:

- Exposure to ambient atmospheric pressure: +100 kPa (+1000 mbar, +14 PSI)

- Exposure to vacuum pressure: -90 kPa (-900 mbar, -13 PSI)

Bursting pressure: > 10bar (1Mpa, 145PSI)

Ambient temperature limits: Air: -10 ~ 85°C (14 to 185°F).

Main part numbers. Calibration point preset at -10 kPa (-100 mbar, -1.45 PSI) :

Fitting	Cable length 500mm	Cable length 1000mm	Cable length 2000mm
1/8" BSPT	ZX203VM1Z000000E	ZX203VM1Z000000J	ZX203VM1Z000000T
1/8" NPT	ZX203ZM1Z000000E	ZX203ZM1Z000000J	ZX203ZM1Z000000T

Because of permanent improvement of our products, drawings, descriptions, features used on these data sheets are for guidance only and can be modified without prior advice